

# Audio Feed to the House P.A. System

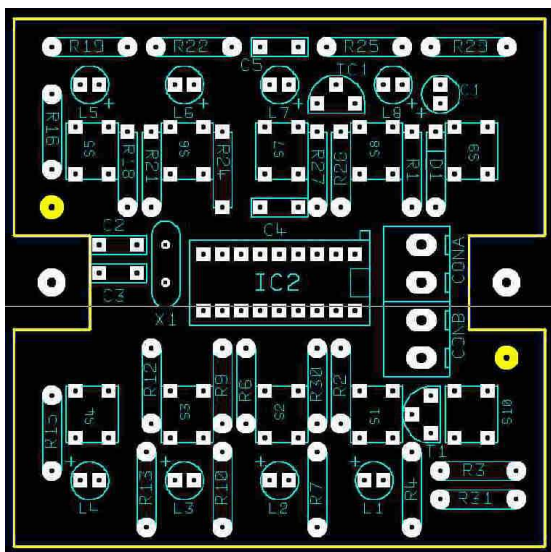
The second generation of Audeon MCTX transmitters are fitted with a remote switching and volume control facility. This facility enables the venue to select one of the eight input program sources and feed it to an external amplifier and speaker system. This facility is often required as background music in the building. The audio output will mute when the fire alarm is activated (if the fire alarm interface is connected) and the emergency message will be played over the house public address system. If the microphone is operated this will also mute the audio feed and a message can be broadcast through the P.A. system.



The volume and program source is selected using the Wall Mounting Remote Control (WB1)

The remote control will select the program source and adjust the volume of the sound feed to an external amplifier which can be used for the house public address system.

## Connecting the Wall Mounting Remote Control (WB1)

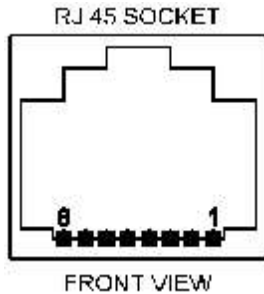


The remote has a 4 way terminal block located on the printed circuit board as shown in the diagram. A minimum of three wires will be required for the connection to the processor though many installers will use either CAT5 or telephone cable - either type is suitable as the data speed is only 9600 baud. Cables up to 100 metres in length should not present any problems.

If you are using CAT5 cable, connect the orange wire to the signal output, the white-orange wire to the +12v supply input and the blue and white-blue wires to the ground terminals.

## Connecting to the processor

The processor is supplied with either an RJ45 connector or screw terminals for the remote control connections. If you are using CAT5 cable connect the plug as follows

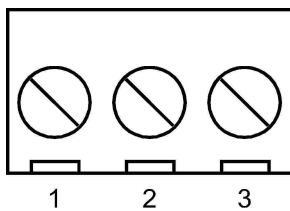


Pin 1	+12v Supply	White - Orange
Pin 2	Data Signal	Orange
Pin 3	Ground	White - Green
Pin 4	Ground	Blue
Pin 5	Ground	White - Blue
Pin 6	Ground	Green
Pin 7	Spare	White - Brown
Pin 8	Spare	Brown

Pins 5, 6, 7, & 8 are not required but if you are using standard CAT 5 cable you can terminate the spare wires to keep the cable tidy.

### Screw Terminal Connector

You will need a cable with a minimum of 3 cores. It is envisaged that most installations will use telephone or CAT5 cable.



Terminal 1	Ground
Terminal 2	Signal input
Terminal 3	+12v supply output



## Testing the control

On switch on the control will select input 1 and 25% volume. Press the input button to select the required program and press the up or down button to change the volume setting. If the remote control is not connected the default setting of input 1 and 25% volume will be selected.